

Easy-Well™ Back Fill Requirements

(Always Use Job Specific Personal Protective Equipment)

A. Tool List (Suggested)

1. Shovel
2. Gloves
3. Mini excavator (optional)

B. Materials List

1. Wire ties
2. Wood 2x4
3. Drain extension or 4" PVC pipe.
4. Crushed Stone #57 ¾" – 1-1/4" or equivalent.

C. Procedure

1. Depending on type of foundation drainage system used tie an extension of the drain up to the bottom of the window opening using wire and 2x4 to brace drain during back fill (if needed).
2. Fill with excavated materials on each side of the window well until dirt extends above the bottom of well creating a funnel look underneath the well.
3. Backfill with #57 stone or equivalent on both the inside and outside area of the Easy-Well™ making sure at least 24" to 36" inches of stone is placed below the well.
4. Stub the drain extension to an area 3" below the bottom of the window opening and fill with stone to the same height. NOTE: Depending on type of drain extension used a drain cap may be required in order to keep hole from becoming obstructed during back fill process.
5. Tamp dirt and stone when possible during backfill process on the exterior of Easy-Well™.

Note: Different areas of the country may have different requirements for backfill due to soil conditions and annual rainfall totals. Check with your local municipality for proper procedures for your area.



BASEMENT WINDOW SYSTEMS

Drainage / Backfill Section

Welcome to the Drainage / Backfill Section

Before starting, note that not all states are required by code to install footing drains. This may not apply to all applications. Here is a proper side view of a drain, but this is simply one way to do a drain install.

During foundation drain tile install, simply splice pipe under window well location and install a T-joint underneath it.

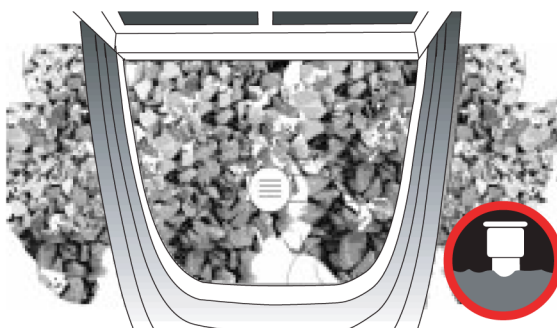
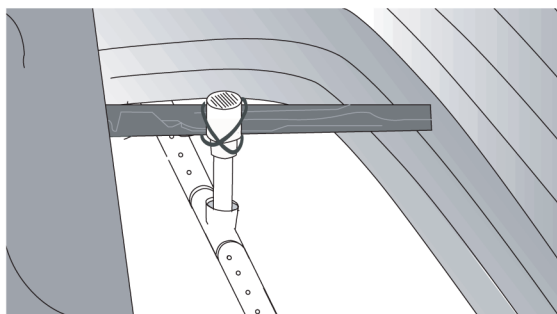
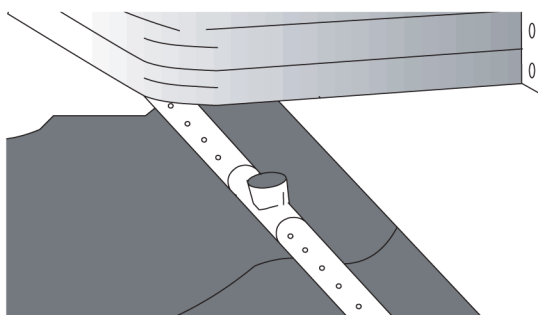
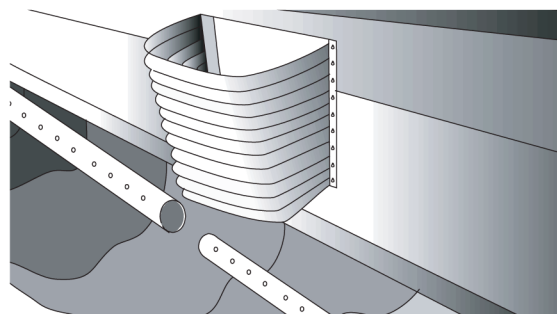
Once T-joint is installed, in-lay a drain piece that will end up sitting 4" to 6" below the sill of the window.

Use a 2X4 and a piece of wire to secure the drain pipe for back filling. Once secure, proceed with back fill until it is 4" to 6" below the sill.

Back fill with a 1" stone or less, depending on soil density in your area. Check with local municipality for soil charts.

Drain should sit in the center of the well and should be kept clear of debris.

You are now ready to move on to the Window Install Section.



Basement Egress Windows Made Easy!

www.boman-kemp.com