

Easy Well™ Wall Mount

(Always Use Job Specific Personal Protective Equipment)

A. Tool List (Suggested)

1. Cordless drill or impact gun
2. Tape measure
3. 4' level
4. Concrete hammer drill
5. Masonry drill bit to match concrete anchor diameter
6. Nut driver or socket to match concrete anchor nut
7. 4 lb. heavy hammer
8. Caulk gun for 10.1 ounce tube (**optional**)

B. Materials List

1. Concrete anchors with fender washers, minimum size required; 3/8"Ø x 2.5" embedment depth wedge type or equivalent
 1. Quantity required = Easy-Well™ height x 2. If Easy-Well™ is seamed, add four (4) additional anchors.
2. One (1) tube of white commercial grade, exterior sealant (**optional**)

C. Installation Procedure

1. Determine finished grade location. Mark location on foundation alongside vertical edge of rough masonry opening. The top of the well should extend a minimum of 3" above the finished grade and a minimum of 10" below the bottom of the rough masonry opening. If the Easy-Well™ will not meet these requirements, a taller unit or an extension will be required.
2. Layout locations for top anchors which will match the top opposing holes of the Easy-Well™. These two locations should be located at the same elevation or higher than previously marked in **Step #1**, indicating finished grade, since the difference between the top of the Easy-Well™ and its' top holes is 3".
3. The distance between the anchors in **Step #2** must be equal to the Easy-Well™ interior width plus 1 (i.e. 5236-60 + 1 = 53" anchor #2 center to anchor center), or the steel safety grate and cover will not properly fit.
4. Center, left to right, and level the top anchor locations. Drill and pin these anchors according to their recommended manufacturer's instructions.
5. Hang Easy-Well™ by top opposing holes over anchors. Place fender washers and hand tighten nuts.
6. Plumb edges of Easy-Well™ flanges and scribe line.
7. Mark every 3rd hole down the sides of the Easy-Well™ starting with the top anchor. This will provide an anchor spacing of 13.5" on center.
8. Drill and set anchors with fender washers at these locations. **Note**; If the Easy-Well™ is seamed, you will need to add additional anchors just above and below seam.
9. Caulk interior flange/wall intersection @ both sides to provide finished appearance (**optional**)

Warning: When installing concrete anchors into the foundation wall, ensure that no anchors come in contact with foundation wall rebar. Failure to ensure this could cause a metallic path and cause premature corrosion of the Easy-Well.



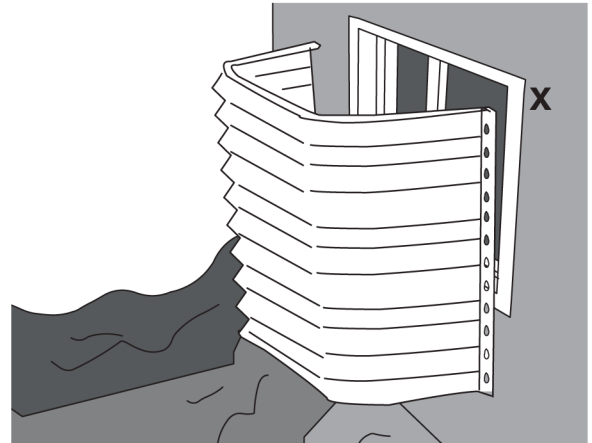
BASEMENT WINDOW SYSTEMS

Well Install Wall Mount

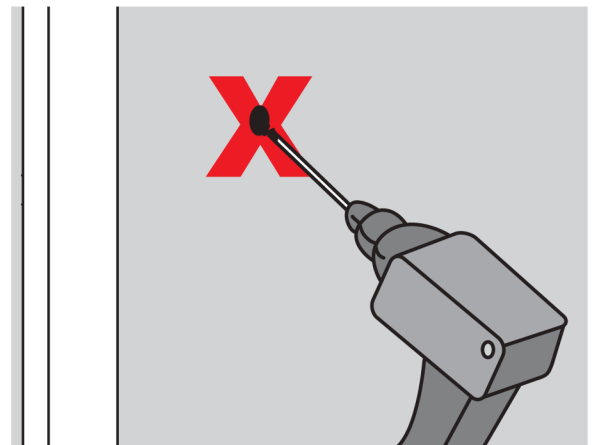
Welcome to the Well Install Wall Mount Section

Mount well on wall allowing 12" below the window for proper drainage.

NOTE: IF DRAIN IS EXPOSED DURING EXCAVATION, SEE DRAINAGE SECTION FOR PROPER DRAIN INSTALLATION.

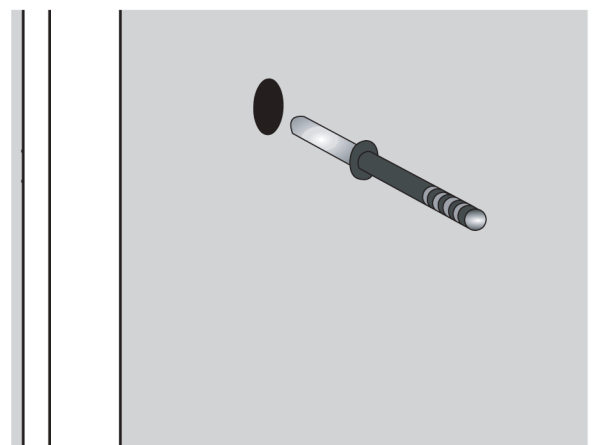


Once window is installed verify measurement of well, and mark first hole for mounting and drill hole out.

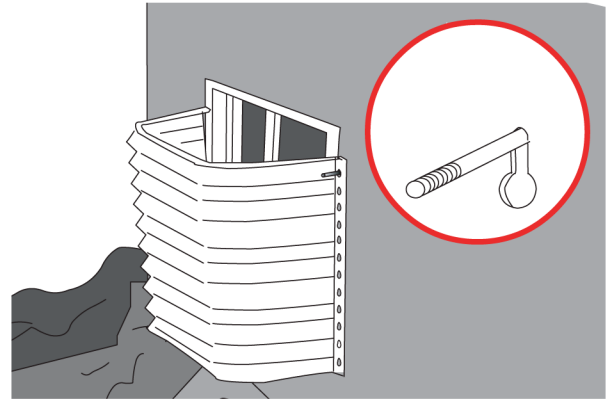


Insert an expansion bolt in the hole using a hammer.

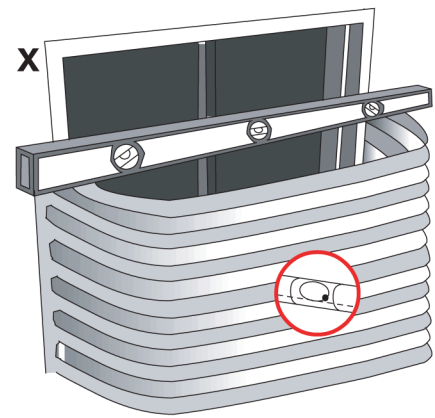
Line up the top mounting hole with the expansion



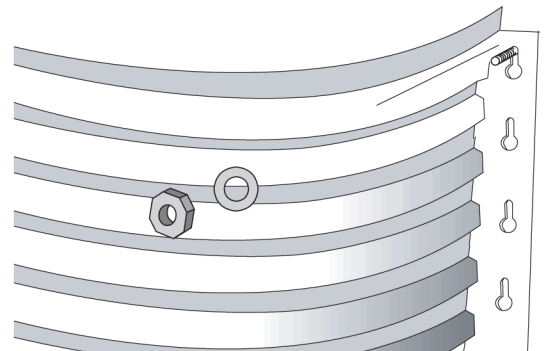
bolt, and hang well on wall. While still holding the well, making sure that the expansion bolt has slid securely into place, use a level to mark the placement of the other bolts on the wall.



Be sure to mark the X for drilling at the top of the mounting eyelet, so that the well remains level. Remove the well after holes have been marked. Drill the X's for the mounting holes just as the first one was done. When finished, insert expansion bolts in each hole drilled and mount well using a washer and a nut.



For proper mounting use the top two holes on the well and then every 10" down the well. Make sure that the bottom hole has a screw so that all four corners are securely fastened during backfill.



ALERT: WATERPROOF AND ADDRESS DRAINAGE PRIOR TO BACKFILL.

You have now completed the Wall Mount Well Install.

